



Aura Series User Manual



Contents

Contents

Chapter 1 Product description.....	1
1.1 Product summary	2
1.2 Product dimensions	2
1.3 Product illustration	3
1.4 Product parameters	5
1.5 Packaging and accessories	6

Chapter 2 Operating guide

2.1 Table Lamp mode	6
2.2 Scanner mode	7
2.2.1 Pre-scanning preparations.....	7
2.2.2 Function introduction.....	8

Chapter 3 Troubleshooting

3.1 Table Lamp	9
3.2 Scanner	9

Chapter 4 Service statement

4.1 After sales service and warranty	12
4.2 Contact methods	13

FCC STATEMENT

1. This device complies with Part 15 of the FCC Rules. Operation is subject to the following two conditions:

- (1) This device may not cause harmful interference.
- (2) This device must accept any interference received, including interference that may cause undesired operation.

2. Changes or modifications not expressly approved by the party responsible for compliance could void the user's authority to operate the equipment.

NOTE: This equipment has been tested and found to comply with the limits for a Class B digital device, pursuant to Part 15 of the FCC Rules. These limits are designed to provide reasonable protection against harmful interference in a residential installation.

This equipment generates uses and can radiate radio frequency energy and, if not installed and used in accordance with the instructions, may cause harmful interference to radio communications. However, there is no guarantee that interference will not occur in a particular installation. If this equipment does cause harmful interference to radio or television reception, which can be determined by turning the equipment off and on, the user is encouraged to try to correct the interference by one or more of the following measures:

- Reorient or relocate the receiving antenna.
- Increase the separation between the equipment and receiver.
- Connect the equipment into an outlet on a circuit different from that to which the receiver is connected.
- Consult the dealer or an experienced radio/TV technician for help.

FCC Radiation Exposure Statement

This equipment complies with FCC radiation exposure limits set forth for an uncontrolled environment. This equipment should be installed and operated with minimum distance 20cm between the radiator & your body.

The symbol indicates DC voltage.

RECYCLING: This product bears the selective sorting symbol for Waste electrical and electronic equipment (WEEE). This means that this product must be handled pursuant to European directive 2012/19/EU in order to be recycled or dismantled to minimize its impact on the environment.

Chapter 1 Product description

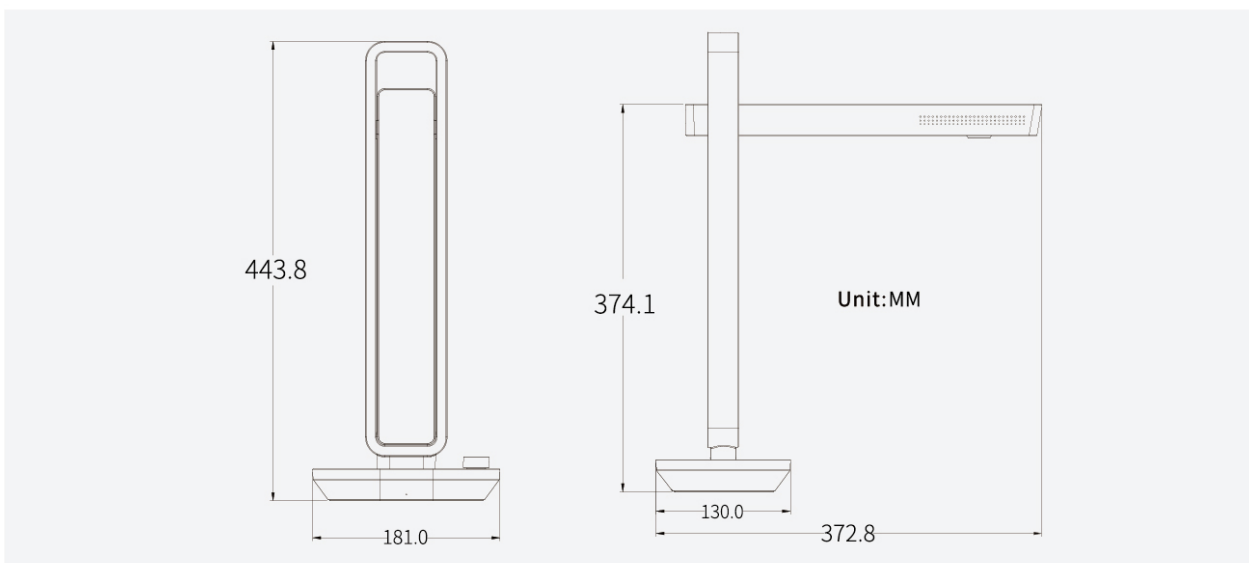
1.1 Product summary

Aura is a new smart scanner released by CZUR that is also a smart table lamp. Aura uses a MIPS CPU, HD sensors, U-shaped optics, smart voice control, and other high end components. Aura does not only provide users with vivid HD image quality, it is also a zero radiation, low frequency, equally distributed light, multi setting table lamp. It is suitable for education, corporate use, professionals, families, and individuals. It can be used to scan academic information, books, exams, documents, files, sheets, notes, etc.

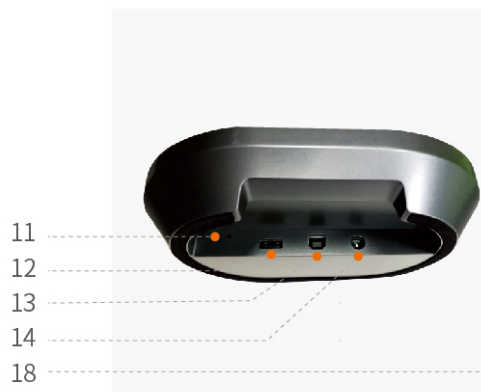
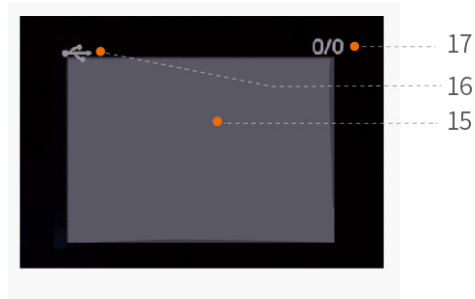
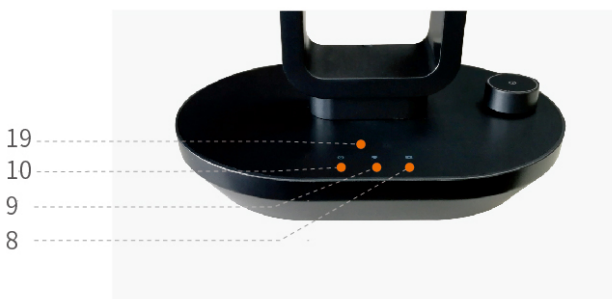
The core algorithms of the scanner can flatten curved surfaces, erase finger prints, sort pages, perform smart trim correction, apply multiple color modes, and other optimizations; providing users with a rich and varied scanning experience. This is a complete departure from traditional scanners and copiers, demonstrating the smart concept of modern scanners. It provides users with smart, highly efficient, energy saving office equipment.

The table lamp supports automatic operation and smart control from the app. The lamp has various modes: Natural light mode, Reading/Writing mode, Computer/Phone mode, Smart night light mode.

1.2 Product dimensions (mm)



1.3 Product illustration



Explanation:

1, 2, 3, 4, 5 and 6 are the support, base, top shell, LED bulbs, laser light and HD CMOS lens.

7. Knob:

- Long press (> 1s) to switch on/off
- Short press to switch between lamp/scanner modes.
- Turn to adjust brightness: turn left to dim, turn right to brighten

8. Scanner indicator light:

After activating the device, short press the knob to change modes. When the scanner indicator light turns on, it has entered "scanner" mode.

9. Lamp indicator light: After activating the device, when the lamp indicator light turns on, it has entered "lamp" mode.

10. Power indicator light: When the device is plugged into the adapter and receiving power, the power indicator light is on.

11. "RESET" button

When the device's working condition is abnormal, press and hold the "RESET" button for 6s to force it into power off and standby mode.

12. Type A USB port – connect to Foot Pedal.

13. Type B USB port – connect to computer.

14. DC port – connect to power adapter (9 V/1.5 A).

15. Scanning preview area.

16. USB connection successful logo.

17. X/Y pending transfer/transferred quantity (transfer to computer).

18. With the Foot Pedal, place your heel on the ground and press gently with your toes. (When scanning multiple pages, it is suggested to use the Foot pedal to free your hands to turn the pages.)

19. Battery indicator (optional)

Charging indicator: In charging state, the LED lights flash. Please insert the adapter to charge the device in time when only one LED light is on.

Battery percentage: one LED light on means 25% of battery is available, two lights 50%, three lights 75%, and four lights 100%.

20. Side lights interface

21. Side lights touch button

1.4 Product parameters

Table Lamp

LED light specifications	16 true white and 16 warm white LEDs
Luminous flux	Natural light mode (140-600lx), Reading/Writing mode (180-800lx), Computer/Phone mode (110-560lx), Smart night light mode (15-60lx)
Color temperature range	Natural light mode (4800K), Reading/Writing mode (4000K), Computer/Phone mode (3000K), Smart night light mode (3000K)
Switch setting	Natural light, reading and writing, using computer and phone, Smart night light mode.
Control method	Digital audio waves can be used through applets or the App (In an open and quiet environment, effective distance is 5 m)
App OS	iOS/Android

Scanner

Basic configuration	Sensor :14 megapixels Highest resolution 4320*3240 Scanning format: ≤ A3; scanning speed ≈ 2.0 s Video format: MJPG Picture format: JPG Export format: PDF/WORD/EXCEL
Hardware configuration	32 bit MIPS CPU, HD sensor, LCD screen, Foot pedal
Special features	Curved surface flattening, smart correction, trimming, erase finger marks, detect page turning Auto scan
Supported systems	XP/Win7/Win8/Win10 32 bits/64 bits macOS 10.11 or above

1.5 Packaging and accessories

Product name	Specifications	Quantity (pcs)
Main device	CZUR scanner	1
Foot pedal	USB port, cable length 2.0 m	1
USB cable	USB port, cable length 1.5 m	1
Power adapter	Input AC: 100–240 V 50/60 Hz 0.35 A Output DC: 9 V/1.5 A	1
Black work mat	530*415*1.8MM	1
Finger cots	Left hand, right hand	2
CD	CD-R, D=120MM	1
User manual	Color printing, 126*176 mm	1
Getting started guide	157 g copper print paper 100*83 mm color printing	1
Side lights	Magnetic connector	1
Battery(optional)	3000mAh	1

Note: The accessories are subject to the actual models, and the above is for reference only.

Chapter 2 Operating guide

2.1 Table Lamp mode

1. Plug the power adapter into Aura. Long press the knob for > 1 s to start. The default setting for Aura is table lamp mode. The lamp turns on.
2. Control brightness with the knob; turn right to brighten, turn left to dim.
3. “CZUR” app control.
 - 1) You can control the lamp with your phone (turn on/off and adjust the light settings of the lamp). Scan the QR code to download the CZUR app; register and add “Aura Pro” functions to control the lamp.

- 2) Long press the knob for > 1 s to enter lamp mode by default.
- 3) Open the App to freely switch between Natural light mode, Reading /Writing mode, Computer/Phone mode, and Smart night light mode, turn on/off, and adjust brightness (the lamp does not respond to app control when turned off).
- 4) The table lamp brightness can be adjusted in each mode (except Smart night light mode,). Turn right to brighten and turn left to dim. Brightness will be restored to the default setting when you switch modes.
- 5) In Smart night light mode, Aura will automatically adjust brightness depending on the ambient sound level. In Smart night light mode, app control and brightness adjustment is not supported.

2.2 Scanner mode

2.2.1 Pre-scanning preparations

1. Connect one end of the USB cable to the computer and the other end to Aura.
2. Connect the Foot Pedal to the base of Aura.
3. Align the black work mat notch with the Aura base and secure it tightly, and unfold the Aura until the head case is at 90 degrees to the base (pictured).



4. Plug the power adapter into Aura and long press the knob for > 1 s to turn on. Short press the knob again to switch to scanner mode.
5. Go to the “Support” page on the official website (www.czur.com) . Choose the corresponding product number, download CZUR Aura software, then install onto your computer (Windows software can be installed from the CD and will automatically search for upgrades. MacOS users please download from the official website). Open the CZUR Aura software and you are ready to scan.

6.Attention

- 1) From the LCD screen on the top, check that the black work mat covers the entire screen. Check that there are no signs of the desktop or edge showing on either side. (The black work mat is essential. It is used as the basis of the smart algorithms and must cover the area completely, or there may be errors with image processing.)
- 2) Avoid scanning documents near a window or in bright conditions. External light will interfere with the brightness of Aura's laser, diminishing scanning quality.
- 3) When scanning books, all three laser lines must be focused on the curve of the book, or image quality will be affected.
- 4) When your fingers are pressed on a book during scanning, you must use the Aura "finger cots," or the fingerprint erasing function may be affected.
- 5) During image collection, do not move the document or turn the page, otherwise the scan quality will be affected. From clicking the "Scan" until the laser light is off, the device is in the process of collecting data, and the operator must not move the document or turn the page. When the laser light is off, it means that data has been collected and pages can be moved or turned.
- 6) Connect the Foot Pedal to improve scanning efficiency, making scanning easier.
- 7) When scanning magazines, coated paper, and other reflective materials, switch the side lights ON for best effects.

2.2.2 Function introduction

1. On switching to scanner mode, the LED lamp default is on its brightest setting. By turning the knob, you can adjust between high, medium, low, and off. Turning to the right makes the lamp brighter; turning to the left makes the lamp dimmer.
2. Open the CZUR Aura software and click the scan icon in the bottom right corner to enter the scan interface. Choose color mode and processing method on the right and click scan icon to start scanning (please choose the correct processing method or the results will be affected).
3. For detailed software information, please visit the "www.czur.com/support" page on the official website.

Chapter 3 Troubleshooting

3.1 Table Lamp

1. Aura will not turn on, the power indicator light is off

- 1) Check if the power outlet is working normally and if the adapter is connected properly.
- 2) Was the knob pressed for more than 1.5 s?
- 3) Was there an error with an Aura firmware update? If a firmware update fails, please contact customer support (contact information is in the end of user manual).

2. App voice control does not work for the lamp

- 1) Did the phone play the voice control sound?
- 2) Make sure it is set to table lamp mode. If it is set to scanner mode, please short press the knob and change to table lamp mode, then continue.

3. Lamp brightness cannot be adjusted

- 1) In Smart night light mode, app control and brightness adjustment is not supported.
- 2) Check if the brightness is set to brightest or dimmest. If it is set to brightest, then it cannot be made brighter; if it is set to dimmest, then it cannot be made dimmer.

3.2 Scanner

1. Aura will not turn on, the power indicator light is off.

- 1) Check if the power outlet is working normally and if the adapter is connected properly.
- 2) Was there an error with an Aura firmware update? If a firmware update fails, please contact customer support (contact information is in the end of user manual).

2. “CZUR Aura” software cannot be installed or reports an error

- 1) The software supports XP/Win7/Win8/Win10 and some MacOS versions.
- 2) Ensure the serial number has been entered correctly.
- 3) Check your anti-virus software or firewalls that may be blocking or stopping the software. Turn off your anti-virus software or add the Aura software as trusted; turn off the firewall or lower the security level.
- 4) If the software was downloaded from the official website, please ensure the download was complete, then install the software.

3. Serial number error message

Please check if the serial number was entered correctly: are the numbers and letters correct? Often times, letters and numbers such as I and 1 can be mistaken for each other. Note that there is no number 1 (one) in the S/N.

4. When using Aura for the first time, the CZUR Aura software cannot be started; the images do not show and it is unable to scan.

- 1) Reconnect the USB cable or restart Aura. Restart the CZUR Aura software on the computer.
- 2) Plug into another USB port on the computer. Performance may differ between each.
- 3) Close anti-virus software, security software, or any other defensive software. USB port on the computer.
- 4) Check if the computer’s “device manager” has recognized CZUR Aura. If the yellow exclamation mark/unknown device appears, right click to update the drivers or disable then re-activate the device. Restart CZUR Aura software then try again.
- 5) In the device manager, disable other “scanners,” “monitors,” and “cameras,” then try again.
- 6) Restart the computer or use another computer.

5. Distortion, curving, or stretching of the scanned image

- 1) Ensure the black work mat notch is in position on Aura. The Preview Area cannot exceed the area of the black work mat. Please see Chapter 2.2.1.
- 2) Scanning materials cannot extend beyond the Preview Area. “Scanning materials” refer to documents, books, files, sheets, notes, identification, name cards, objects, etc.
- 3) Does the Preview Area contain objects other than the scanning material? If other objects are present, the scans will be affected. For example, USB cable, phone, pen, etc.

Chapter 4 Service statement

Dear user, thank you for using our smart scanner. To protect your legal rights, please read and strictly abide by the following standards and precautions.

4.1 After sales service and warranty

1. All after sales policies of this product follow national after sales guidelines. With major problems with product quality, refunds are guaranteed within 7 days of purchase with a one year warranty and lifetime repair.
2. The warranty includes the Aura device, power adapter, and Foot Pedal. Consumable materials and appearance are not covered by the warranty.
3. When the product is brought in for repairs, it must be accompanied by the complete packaging to ensure its safety and state during transportation.
4. Subsequent upgrades or updates of the products are subject to change without prior notice. The company reserves the right of final interpretation of the above terms.

5. Non warranty conditions

- 1) The maximum ambient operating temperature of this product is 45 °C.
- 2) Malfunctions or damage caused by incorrect installation or use in a work environment not specified by the product (e.g., excessive temperature, excessive humidity, etc.).
- 3) Damage caused by parts manufactured by other companies or replacement of parts by the user.
- 4) Damage caused by disaster, accident, or human factors.
- 5) Damage due to improper storage (such as vermin, liquid damage, etc.).
- 6) Failure or damage caused by unauthorized disassembly, repair, or abuse.
- 7) Damage caused by unauthorized repair centers.
- 8) Damage or errors caused by the installation and settings of other software. Damage or errors caused by computer viruses.

6. Battery (optional)

Please do not try to replace the Aura battery by yourself in case it might cause battery damage, overheating, fire, or personal injury. Aura's lithium battery should be serviced or recycled by an authorized service provider and must be recycled or disposed of separately from household waste. Please dispose of the battery in accordance with local environmental regulations.

4.2 Contact methods

You can receive tech support and related information through the following methods.

CZUR TECH CO., LTD

9F, North Wing, West Block, Shenzhen Hong Kong Institution, Gaoxin South
7th Road, Nanshan District, Shenzhen, China

Room 911, Building A, Venture Building, No. 32, Torch Road, Gaoxin Park,
Dalian, China

Manufacturer: CZUR

After sales address: 2nd Floor, Building 2, Gem Industrial Zone, No. 12, Gem
Road, Yutaitang Village, Tangxia Town, Dongguan City (Zip code 523723)

Support e-mail: support@czur.com

Website: www.czur.com

CZUR TECH CO., LTD.

Website:www.czur.com

E-mail:support@czur.com

Skype:[support@czur.com](https://www.skype.com/people/support@czur.com)

9F, North Wing, West Block, Shenzhen Hong Kong Institution, Gaoxin South 7th
Road, Nanshan District, Shenzhen, China